

An aerial photograph of a winding asphalt road that curves through a dense, green forest on a mountain slope. The road is light-colored and contrasts with the dark green trees. The terrain is rugged, with some rocky outcrops visible. The overall scene is a scenic view of a mountain road.

# **GNG1103**

## **Group 7**

### **Presentation**

**01**

**THE SUBSYSTEMS**

**02**

**THE GLOBAL CONCEPTS**

**03**

**INITIAL PRODUCT DESIGN**

**04**

**QUESTIONS**

# THE GLOBAL CONCEPTS

## Weight

- Lightweight materials
- Modular design
- Ensure weight is distributed evenly

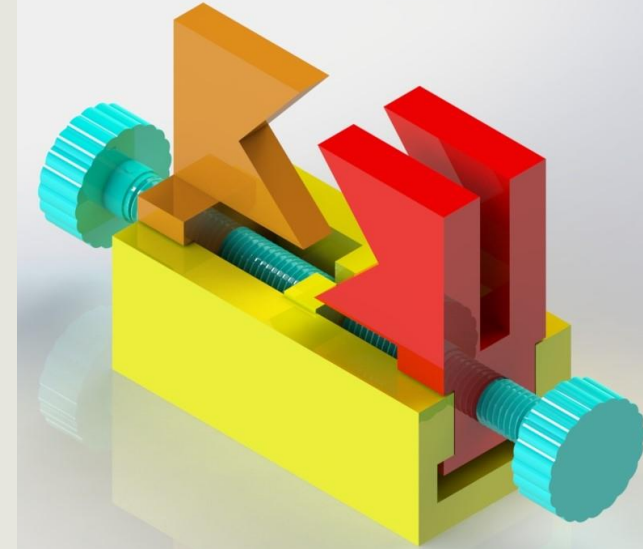
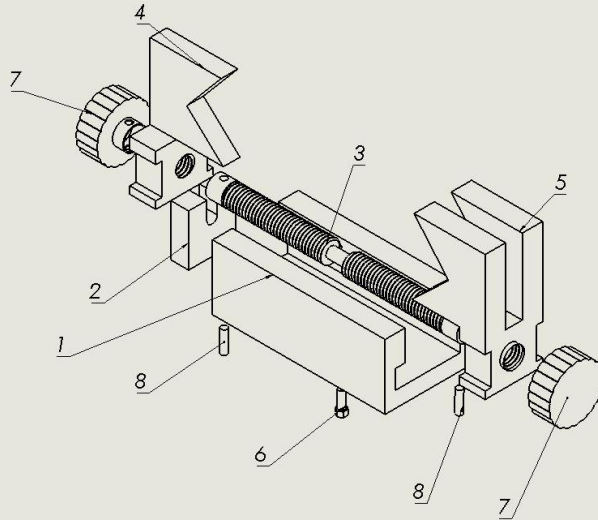
## Storage

- Wall mounted storage system
- Will be able to be stacked vertically

## Practicality

- Self-centering
- Color-coded components

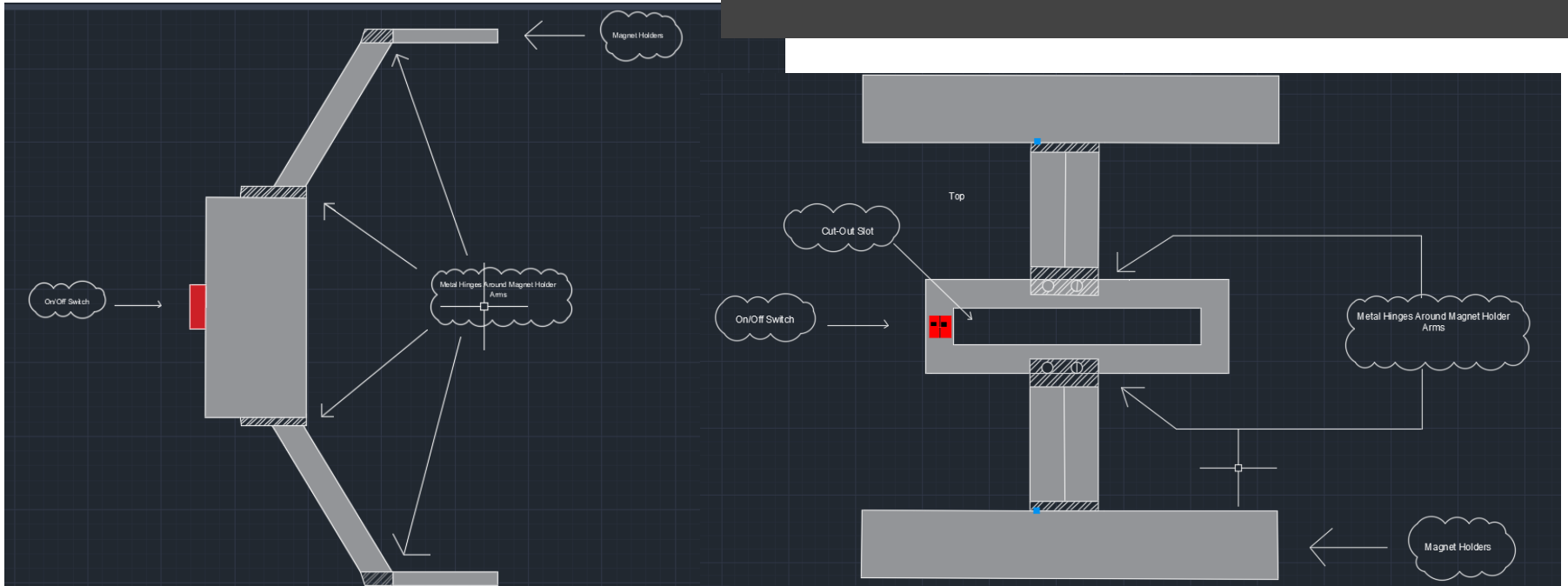
## IDEA #1



Thread will be reversed at the middle of the clamping mechanism to allow for both sides to clamp evenly (self-centering)

# IDEA #2

Electromagnets will be utilized to hold jig in place during the routing process



## Questions

1. Can the jig be plugged into electricity?
2. Would this create any inconvenience for the machinist?
3. How are existing jigs stored at the user's workbench?